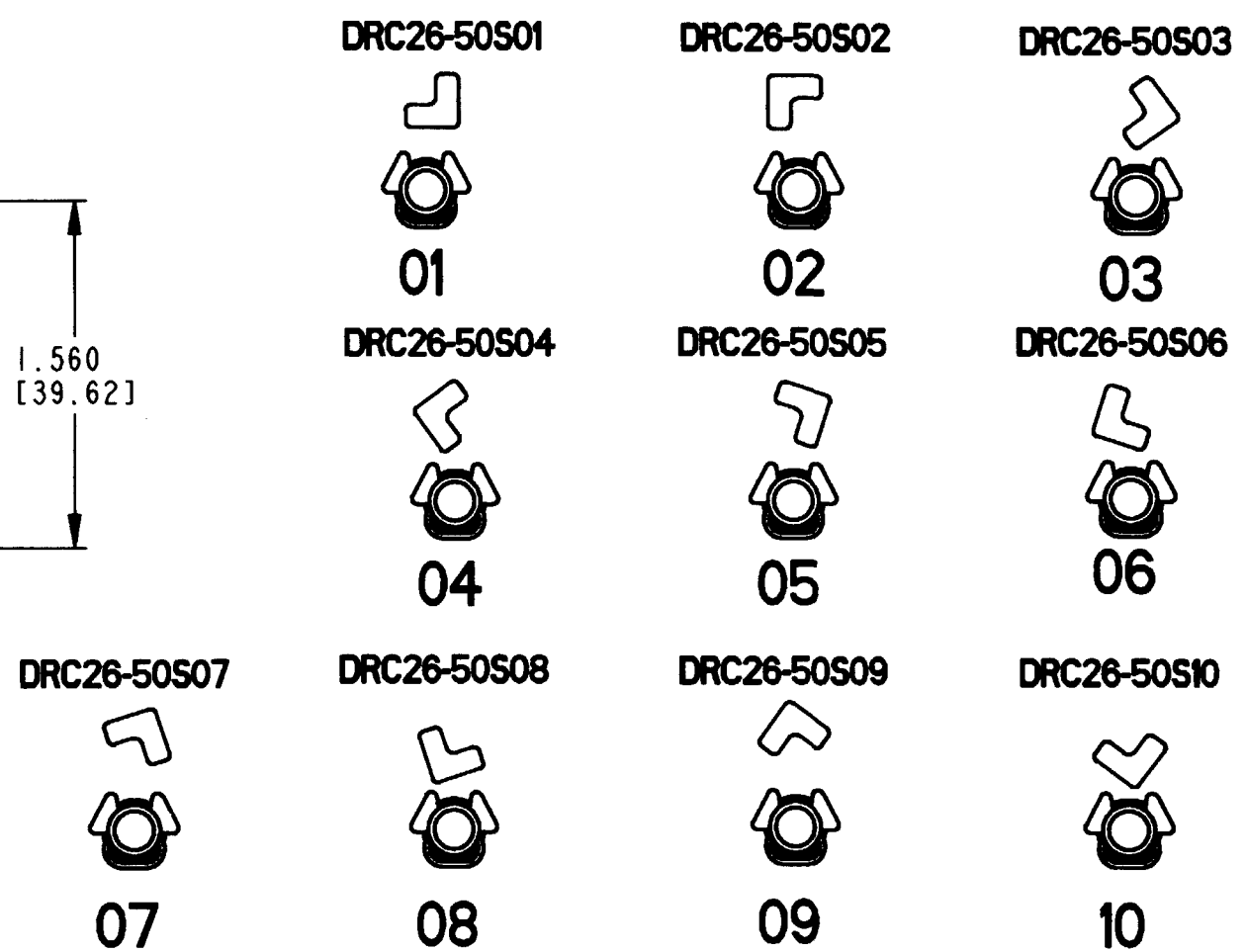
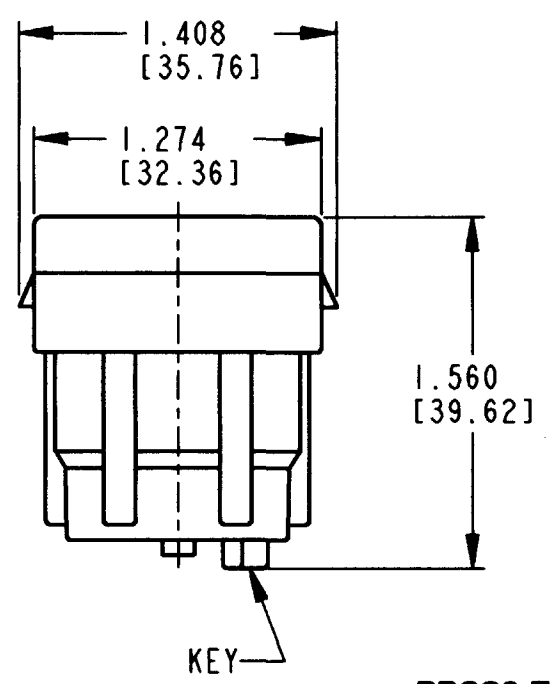


- SEE KEY ORIENTATION
- RECOMMENDED RETAINING BOLT TORQUE: 25-28 IN-LB [2.82-3.16NM]
 - THIS CONNECTOR WILL ACCOMMODATE THE FOLLOWING:
- | CONTACT SIZE | MIN. O.D. | MAX. O.D. | WIRE GAUGE RANGE REF ONLY |
|--------------|--------------|--------------|---------------------------------------|
| 20 | .040 [1.016] | .095 [2.413] | 16 THRU 20 [1.00-.50mm ²] |
- PLUG IS SUPPLIED WITH DUST CAP. (NOT SHOWN)
 - DIMENSION TOLERANCE: ±.025 [.64]
- NOTES: 1. DIMENSIONS ARE IN INCHES [mm].

REV A	DRC26-50S**	REVISIONS		
SYM	DESCRIPTION	DATE	APPROVED	
NC	NEW RELEASE PER E.O. A14643	12/5/94	RDR	
A	REVISED PER E.O. P16752	7-20-00	RDR	



- MATERIAL: HOUSING: PLASTIC (BLACK); BOLT: STAINLESS STEEL; CLIP: STEEL.
- THIS PLUG MATES WITH 09D41107L01 THRU 10-**** AND DRC20-50P01 THRU 10-**** RECEPTACLE. (**** = ALL MODIFICATIONS)
- FOR CONTACT AND WIRE PERFORMANCE AND APPLICATION CHARACTERISTICS SEE ENVELOPE DRAWING 0425-015-0000.

SIGNATURE & DATE		PLUG 50 CONTACTS, SIZE 20 DRC SERIES	CP EP019	MATL. CODE
DR	V. TOMSA 10/11/94		The Deutsch Company DEUTSCH I.P.D. 3850 INDUSTRIAL AVE. HEMET, CALIF. 92545	
CHK	D. Meyer 7/20/00	ENVELOPE	DRC26-50S**	
PE	D. Meyer 7/20/00		DWG SIZE	CODE 11139
APPD	R. Reed 7-20-00			
SCALE	NONE WT			